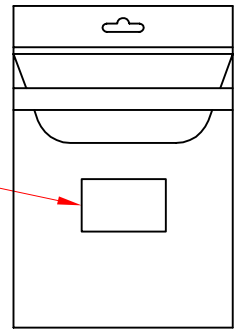
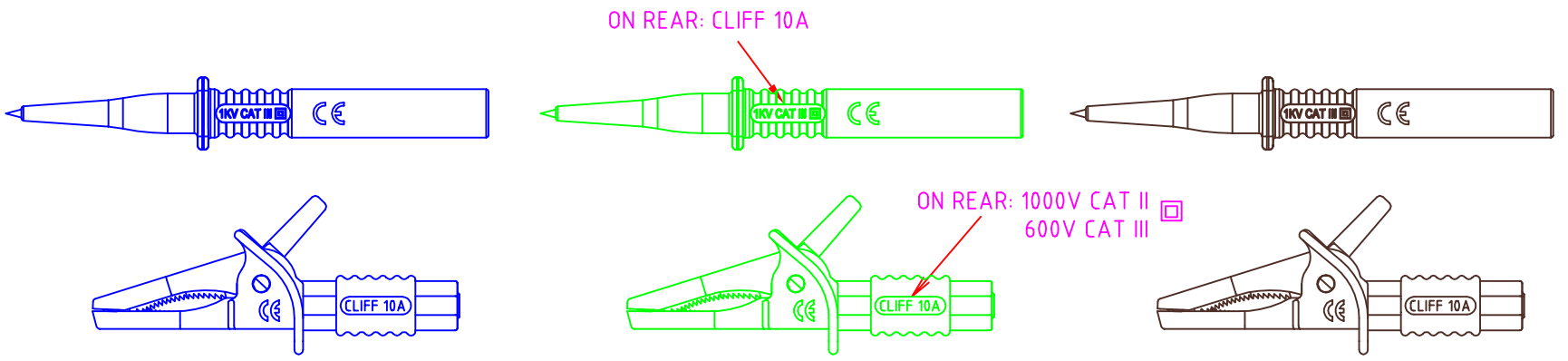
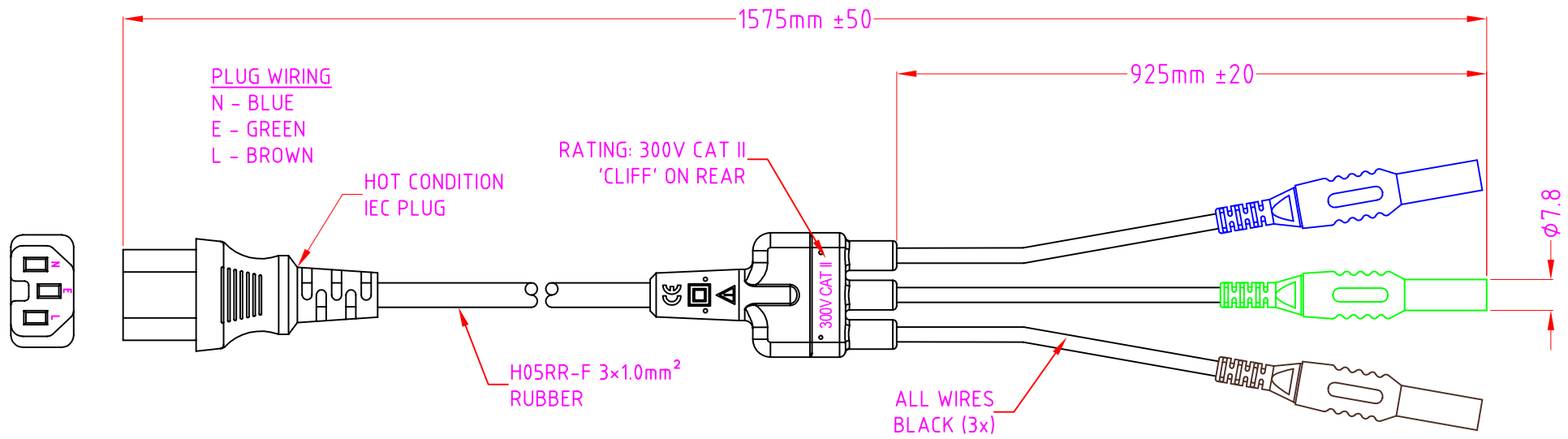


ISS.	AMEND	DATE
1	ISSUED	16/04/14
2	LENGTHS AMENDED	14/08/14

CLIFF
CIH29923



- SET INCLUDES**
- 1x IEC PLUG - 3x4mm PLUG LEAD
 - 1x BLUE TPR7 PROBE
 - 1x GREEN TPR7 PROBE
 - 1x BROWN TPR7 PROBE
 - 1x BLUE CROC CLIP
 - 1x GREEN CROC CLIP
 - 1x BROWN CROC CLIP



WHEN ORDERING USE CLIFF PART NUMBER: CIH29923

RoHS
COMPLIANT

TOLERANCE

NO DEC. PLACE ±
1 DEC. PLACE ±
2 DEC. PLACE ±
HOLE Ø ±
ANGLES ±
UNLESS OTHERWISE STATED

DO NOT SCALE

Cliff Electronic Components Ltd.
76 Holmehorpe Avenue, Holmehorpe Industrial Estate,
Redhill, Surrey, RH1 2PF, England, UK
Tel: 01737-771375 Fax: 01737-766012 Website: www.cliffuk.co.uk

THE CONTENTS OF THIS DOCUMENT MUST NOT BE COPIED OR DISCLOSED TO A 3rd PARTY WITHOUT WRITTEN PERMISSION OF CLIFF UK. © 2014

DIMENSIONS IN MILLIMETERS UNLESS OTHERWISE STATED. WORK TO DIMENSIONS. REMOVE ALL BURRS. IF IN DOUBT ASK.		3rd ANGLE PROJECTION:
MATERIAL: COMPOSITE	TITLE: CLIFF HC IEC PLUG 3-1 TPR7+CROC UNFUSED	
FINISH: CLEAN - BLUE / GREEN / BROWN	DRWG. No. CIH29923DST	
DRAWN: T.J.O.	APPROVED: D.P.J.	FORM: A4DRWGH