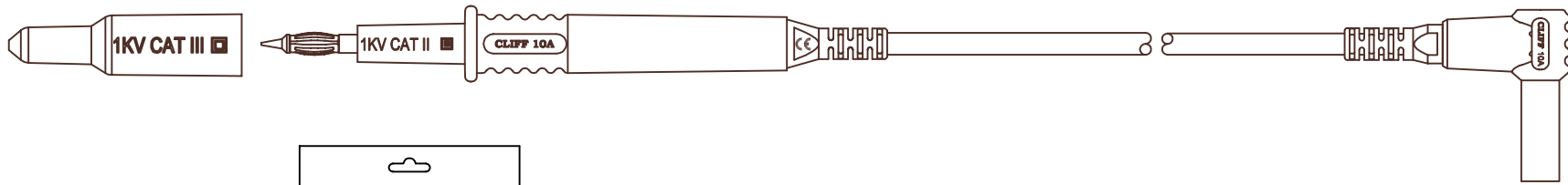
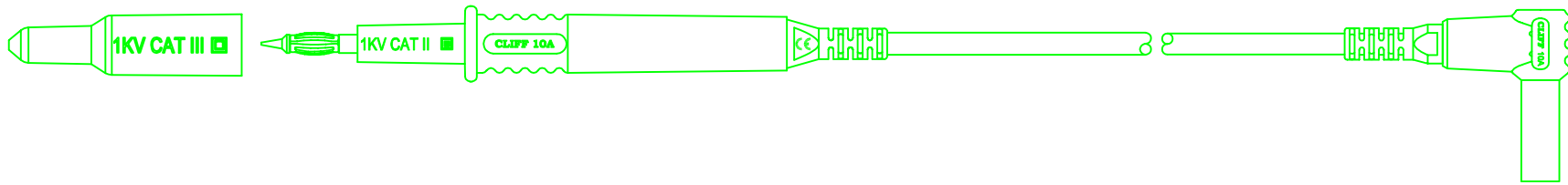
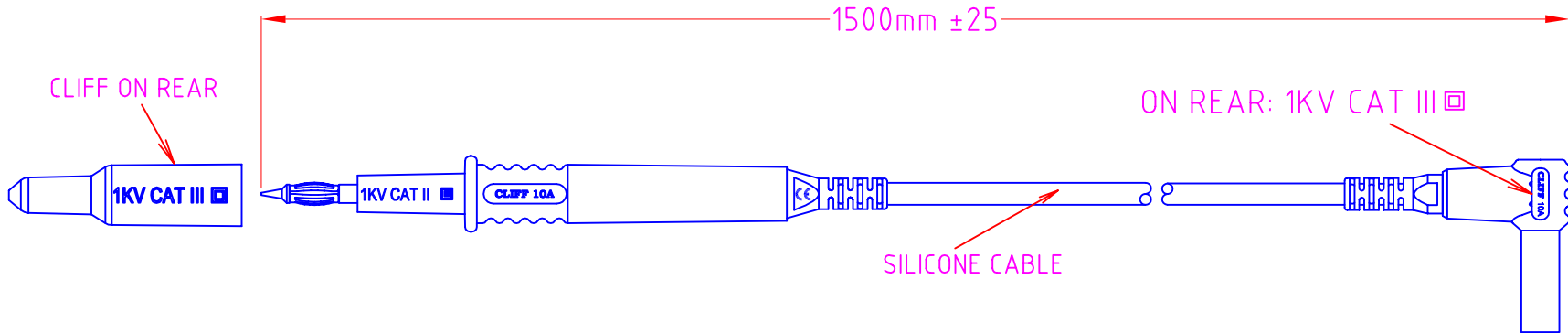
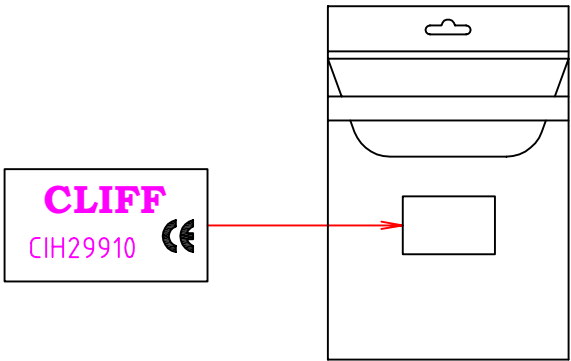


CAT III ADAPTORS SUPPLIED FITTED TO PROBE.

ISS.	AMEND	DATE
1	ISSUED	27/02/14



ø7.8



- KIT COMPRISES:**
- 1x BLUE LEAD ASSY
 - 1x GREEN LEAD ASSY
 - 1x BROWN LEAD ASSY
 - 1x BLUE CAT III ADAPTOR (FITTED)
 - 1x GREEN CAT III ADAPTOR (FITTED)
 - 1x BROWN CAT III ADAPTOR (FITTED)

LEAD RATING
 1KV CAT II WITHOUT CAPS
 1KV CAT III WITH CAP FITTED

WHEN ORDERING USE CLIFF PART NUMBER: CIH29910

RoHS
 COMPLIANT

TOLERANCE
 NO DEC. PLACE ±
 1 DEC. PLACE ±
 2 DEC. PLACE ±
 HOLE Ø ±
 ANGLES ±
 UNLESS OTHERWISE STATED

Cliff Electronic Components Ltd.

DIMENSIONS IN MILLIMETERS UNLESS OTHERWISE STATED. WORK TO DIMENSIONS. REMOVE ALL BURRS. IF IN DOUBT ASK.

3rd ANGLE PROJECTION:

DO NOT SCALE

76 Holmehorpe Avenue, Holmehorpe Industrial Estate,
 Redhill, Surrey, RH1 2PF, England, UK
 Tel: 01737-771375 Fax: 01737-766012 Website: www.cliffuk.co.uk

MATERIAL: COMPOSITE
 FINISH: CLEAN - BLUE / GREEN / BROWN

TITLE: CLIFF 4mm 90° TPR1C BLUE/GREEN/BROWN
 DRWG. No. **CIH29910DST** FORM: A4DRWGH

THE CONTENTS OF THIS DOCUMENT MUST NOT BE COPIED OR DISCLOSED TO A 3rd PARTY WITHOUT WRITTEN PERMISSION OF CLIFF UK. © 2014

DRAWN: T.J.O. APPROVED: D.P.J.