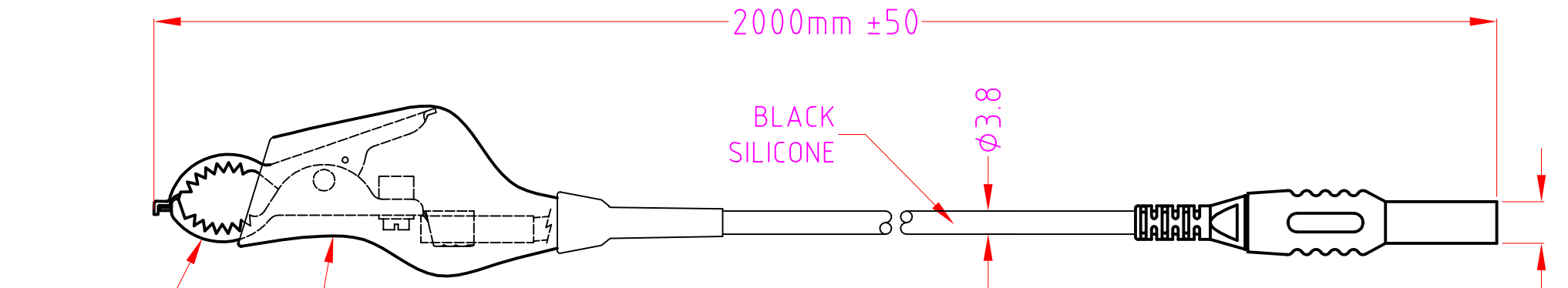
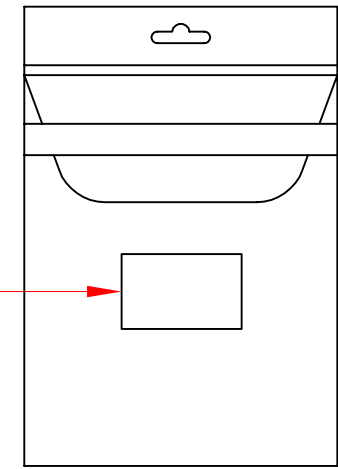


ISS.	AMEND	DATE
1	ISSUED	17/04/14



CROC CLIP  
BLACK BOOT



**RoHS**  
COMPLIANT

**TOLERANCE**

NO DEC. PLACE ±
1 DEC. PLACE ±
2 DEC. PLACE ±
HOLE Ø ±
ANGLES ±
UNLESS OTHERWISE STATED

WHEN ORDERING USE CLIFF PART NUMBER: CIH22105

<b>Cliff Electronic Components Ltd.</b> 76 Holmehorpe Avenue, Holmehorpe Industrial Estate, Redhill, Surrey, RH1 2PF, England, UK Tel: 01737-771375 Fax: 01737-766012 Website: www.cliffuk.co.uk	DIMENSIONS IN MILLIMETERS UNLESS OTHERWISE STATED. WORK TO DIMENSIONS. REMOVE ALL BURRS. IF IN DOUBT ASK.		3rd ANGLE PROJECTION:	DO NOT SCALE
	MATERIAL: COMPOSITE FINISH: CLEAN - BLACK	TITLE: LV EARTH BOND LEAD WITH HD CROC CLIP (2m)		
DRAWN: T.J.O.	APPROVED: D.P.J.	DRWG. No. <b>CIH22105DST</b>	FORM: A4DRWGH	