

CLIFF

TERMINAL TPP60

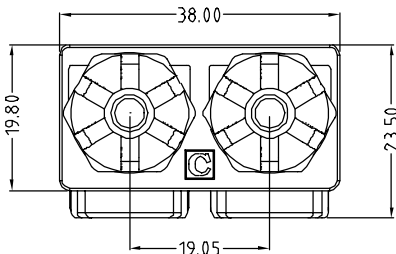


TPP60 and TPP60V

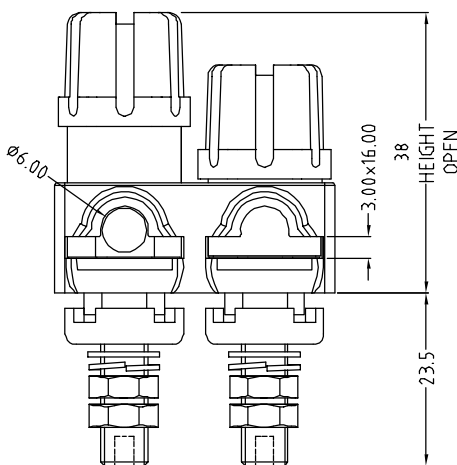
Dual version of TP60. Rated 60A. with 3mm wide slot and $\varnothing 6\text{mm}$ cross hole.

Knob Options:

Castellated knob (TPP60) or Fluted knob (TPP60V). Clear or coloured. Metal parts Nickel or Gold plated. Short, long or PC mounting spindles. The usual Cliff mounting options are under development.



LEFT RIGHT



Specification

Maximum Current: 60A

Contact Resistance: Nickel $<30\text{m}\Omega$, Gold $<20\text{m}\Omega$

Temperature Rating: -20°C to $+80^{\circ}\text{C}$

Flammability: Minimum UL 94HB

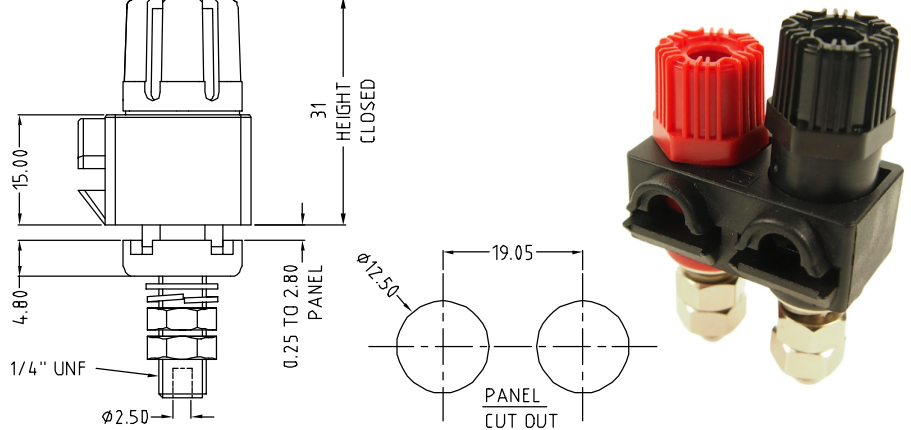
Part Nos.

CL159840C - TPP60VSG Clear Red/Black Gold Plated

CL159841C - TPP60VSG Clear Black/Red Gold Plated

CL159855 - TPP60S Red/Black Nickel Plated

CL159856 - TPP60S Black/Red Nickel Plated



© CLIFF 01/18 ISS.3

Cliff Electronic Components Limited,
76 Holmethorpe Avenue, Holmethorpe Ind. Estate,
Redhill, Surrey RH1 2PF U.K.
Tel: +44 (0)1737 771375 Fax: +44 (0)1737 766012



Visit us online at:



www.cliffuk.co.uk