

CLIFF

MS-3 Series Fused Power Input Connectors



MS-3 Printed Fuse Carriers



MS-3 with Voltage Selector



MS-3X Snap-in



MS-3 with Fuse Carrier



PVC Insulating Cover

The **CLIFF**® MS-3 series Power Input Connectors are produced from heat resistant plastic with solid brass nickel-plated metal parts. Parts for soldering are tin plated. The MS-3 is a composite design incorporating an input, fuseholder and voltage selector. The fuse carrier is available printed with various voltage combinations. Two terminal options are available – Solder Tag and Quick Connect. All products are produced in accordance to IEC320 / EN60-320 and have various safety approvals. The standard colour is Black, however some products are available in other colours, subject to a reasonable order quantity. For voltage selector options, refer to drawing number CL19262. Supplied without fuse fitted.

Significant features include:

- Compact, space saving design.
- MS-3 DPS version available where 'L Pin' is not connected to the fuseholder and permits double pole switching.
- MS-3X Snap-in version also available (without voltage selector option).
- **UL/CSA Conformance** and European **ENEC** approvals.
- Cost effective, rapid installation.

Cliff Electronic Components, Ltd.

76 Holmethorpe Avenue, Holmethorpe Ind. Est.

Redhill, Surrey RH1 2PF. England

Tel: +44 (0) 1737 771375

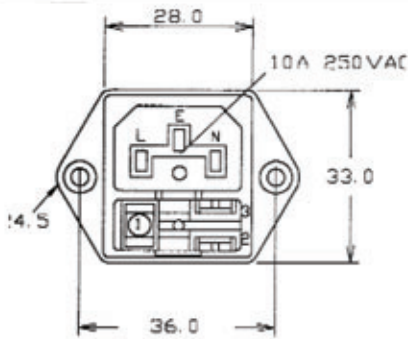
Fax: +44 (0) 1737 766012

Email: sales@cliffuk.co.uk

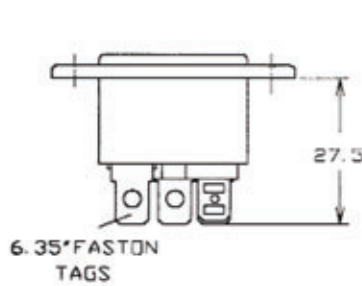


Visit us online at:

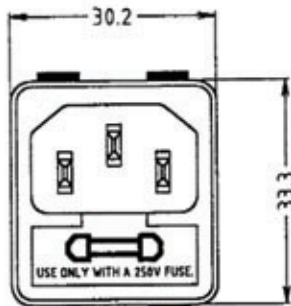
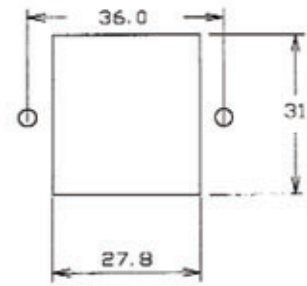
www.cliffuk.co.uk



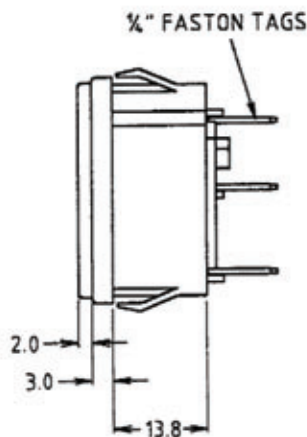
MS-3 with Voltage Selector



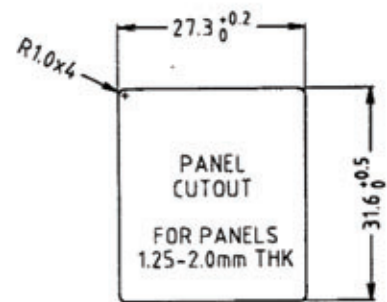
6.35\"/>



MS-3X Snap-in

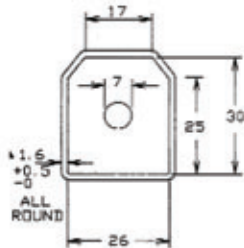


1/4\"/>

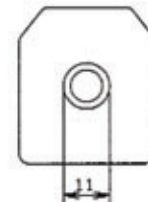
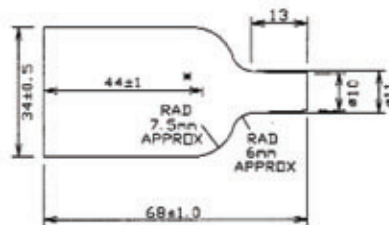


PANEL CUTOUT

FOR PANELS 1.25-2.0mm THK



PVC Insulating Cover



Specification:

Rated Current: 10A maximum. (MS-3X 6A maximum).

Rated Voltage: 250Vac.

Temperature Rating: -10° C to + 85° C.

Minimum Flammability Rating: UL 94-HB.

Approvals:

TYPE	SPEC															
	BS4491 COLD	BS4491 HOT	CE22 IEC320	CB-1	UL	CSA	SEMKO	NEMKO	DEMKO	SETI	NF	VDE	KEMA	OVE	CEBEC	S+
MS-3	N	N	O	O	O	O	E ¹	E	E	E	E	E	E	E	E	O
MS-3DPS	N	N	O	O	O	O	E ¹	E	E	E	E	E	E	E	E	O
MS-3X	N	N	O	O	●	●	●	O	●	O	O	O	O	O	O	O

N: Not approved o: Conforms ●: Approved E: ENEC17 approved ¹ 6A. rated for Semko