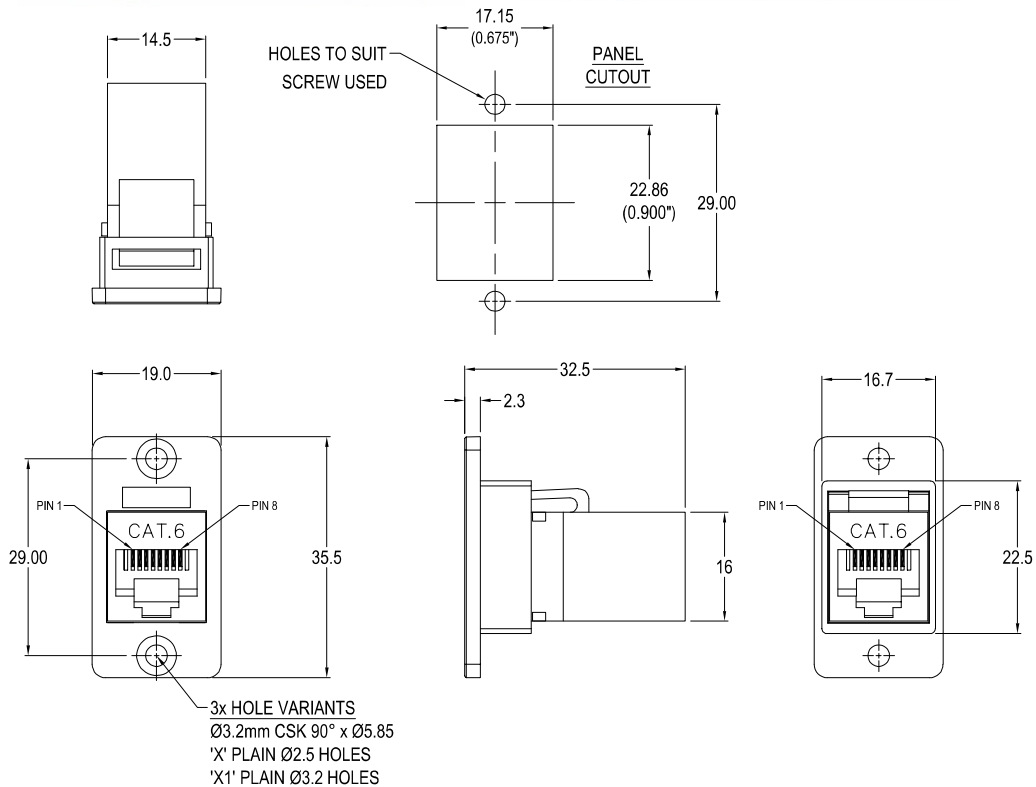


CLIFF

SLIM CAT.6 RJ45 FRONT MOUNTING FEEDTHROUGH CONNECTOR



Part No.

CP30622

SLIM FM Cat.6 RJ45 Black plastic frame, CSK holes

CP30622X

SLIM FM Cat.6 RJ45 Black plastic frame, Ø2.5 PLAIN holes

CP30622X1

SLIM FM Cat.6 RJ45 Black plastic frame, Ø3.2 PLAIN holes

Feedthrough Features

- Fits standard rectangular cutout.
- Various hole mounting options.
- No soldering or punch termination. Use standard cable for each connector style.
- Low rear profile.

General:

Please note: Functionality is affected by cable quality, length and cable wiring configuration.

Material:

1. RJ45 In-Line Coupler: ABS UL94-V0
2. RJ45 In-Line Coupler Contact:
Phosphor Bronze, 3-50 micro inches
gold plating over nickel plate.
3. PCB: FR4
4. Frame: Polyamide UL94-V2

Performance:

1. T568A & T568B wiring.
2. Meet ISO/IEC 11801 and EN50173
3. Meet ANSI/TIA/EIA 568B.2
4. Rating: 125VAC RMS 1.5A
5. Operating Temperatures: Min -10°C Max +60°C