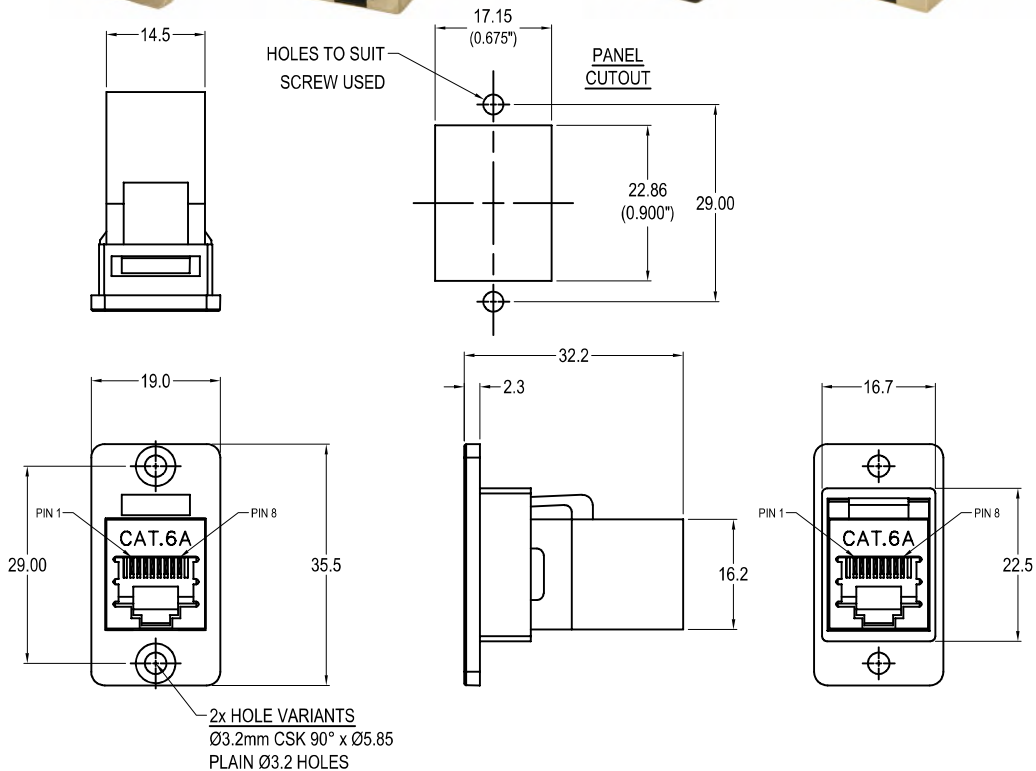
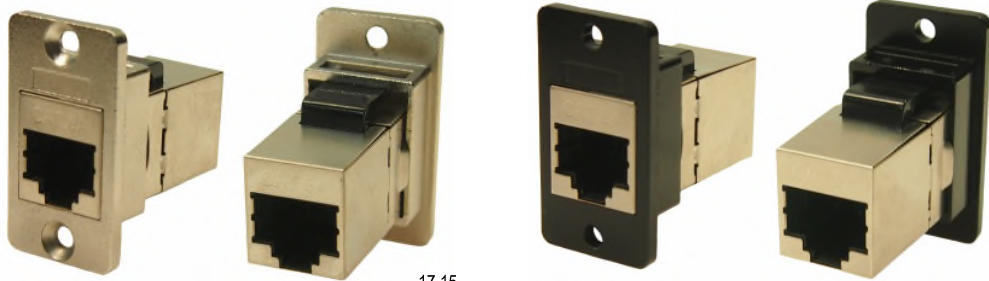


CLIFF

SLIM CAT.6A SHIELDED RJ45 FRONT MOUNTING METAL FRAME FEEDTHROUGH



Part No.

CP30625SM

SLIM FM Cat.6A Shielded RJ45 Nickel frame, CSK holes

CP30625SMB

SLIM FM Cat.6A Shielded RJ45 Black metal frame, CSK holes

CP30625SMX1

SLIM FM Cat.6A Shielded RJ45 Nickel frame, Ø3.2 PLAIN holes

CP30625SMBX1

SLIM FM Cat.6A Shielded RJ45 Black metal frame, Ø3.2 PLAIN holes

Feedthrough Features

- Fits standard rectangular cutout.
- Various hole mounting options.
- No soldering or punch termination. Use standard cable for each connector style.
- Low rear profile.

General:

Please note: Functionality is affected by cable quality, length and cable wiring configuration.

Material:

- 1.RJ45 In-Line Coupler:
PC/ABS, UL 94V-0, Black colour
- 2.RJ45 In-Line Coupler Contact:
Phosphor Bronze, 3-50 micro inches gold plating over nickel plate.
- 3.PCB: FR4, UL 94V-0
- 4.Frame: Diecast, Nickel or Black plated

Performance:

- 1.T568A & T568B wiring.
- 2.Meet ISO/IEC 11801 and EN50173
- 3.Meet ANSI/TIA/EIA 568B.2
- 4.Operating temperature: Min -10°C Max +70°C