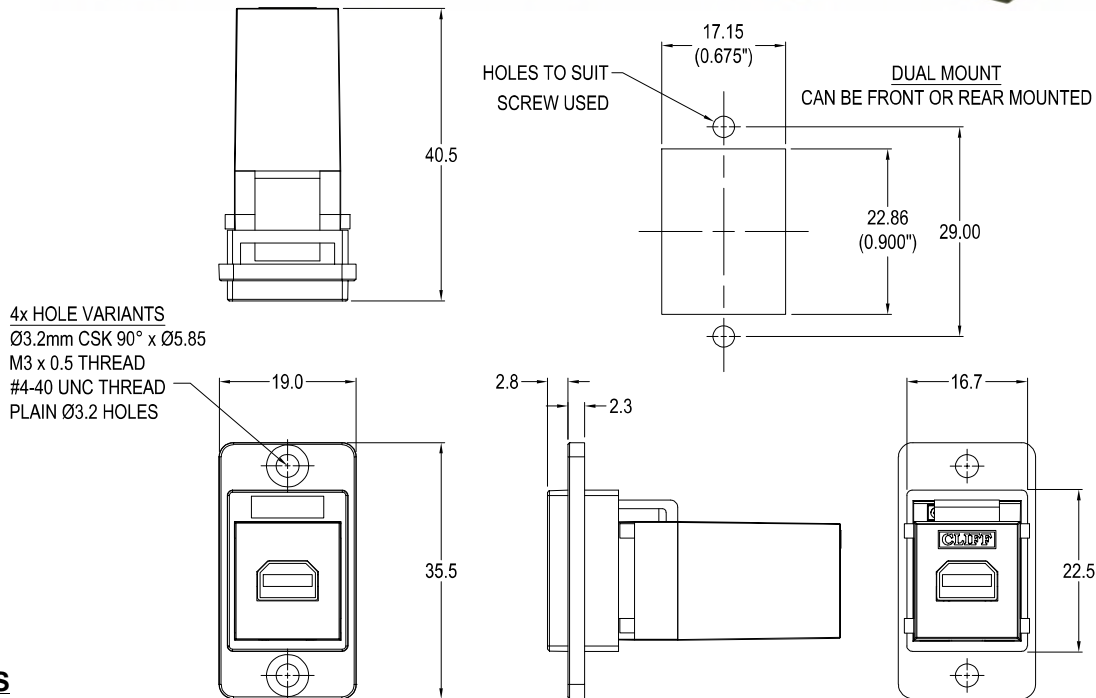


CLIFF

DUALSLIM MINI DISPLAYPORT METAL FRAME FEEDTHROUGH CONNECTOR

Can be front or rear mounted in the panel



VARIANTS

Part No.

CP30702M

DUALSLIM Mini Displayport Nickel frame, CSK holes

CP30702MB

DUALSLIM Mini Displayport Black metal frame, CSK holes

CP30702M3

DUALSLIM Mini Displayport Nickel frame, M3 holes

CP30702MB3

DUALSLIM Mini Displayport Black metal frame, M3 holes

CP30702M440

DUALSLIM Mini Displayport Nickel frame, #4-40 holes

CP30702MB440

DUALSLIM Mini Displayport Black metal frame, #4-40 holes

CP30702MX1

DUALSLIM Mini Displayport Nickel frame, Ø3.2 PLAIN holes

CP30702MBX1

DUALSLIM Mini Displayport Black metal frame, Ø3.2 PLAIN holes

Feedthrough Features

- Fits standard rectangular cutout.
- Front or rear mounting through the panel.
- Various hole mounting options.
- No soldering or punch termination. Use standard cable for each connector style.
- Low rear profile.

Material:

1. Insert: ABS
2. Frame: Zinc Diecast, Nickel or Black Plated
3. Contacts: Gold Plated

General:

Please note: Functionality is affected by cable quality, length and cable wiring configuration.

For further information, contact sales@cliffuk.co.uk

© CLIFF 03/2022 ISS.1

Cliff Electronic Components Limited,
76 Holmethorpe Avenue, Holmethorpe Ind. Estate,
Redhill, Surrey RH1 2PF U.K.
Tel: +44 (0)1737 771375 Fax: +44 (0)1737 766012



www.cliffuk.co.uk