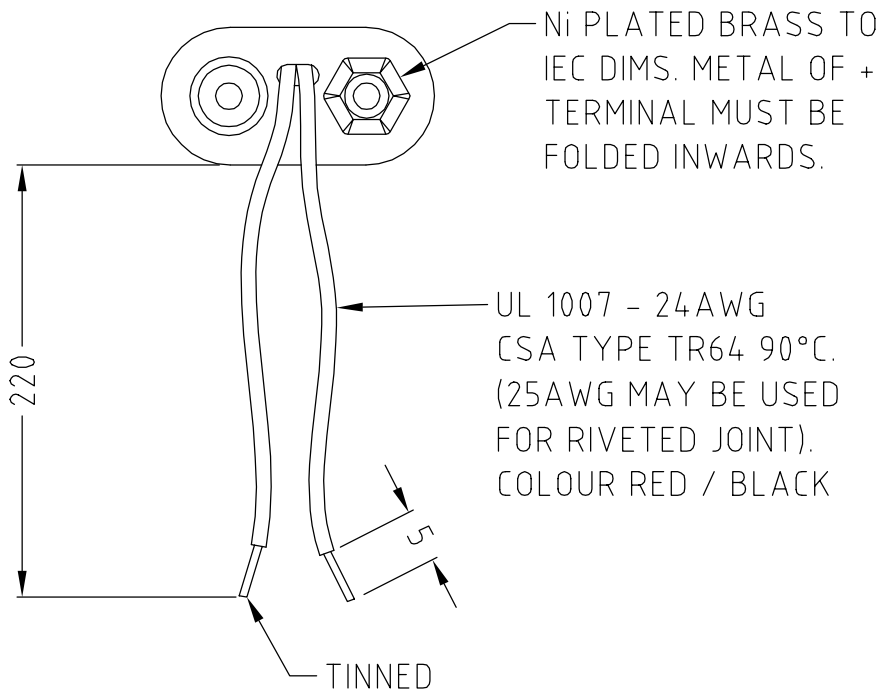
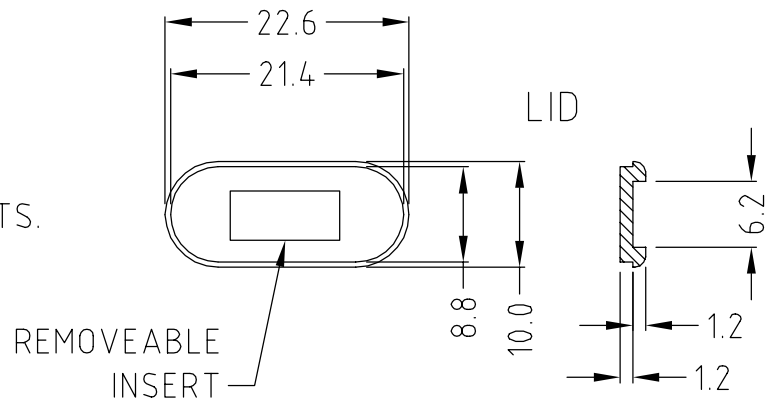
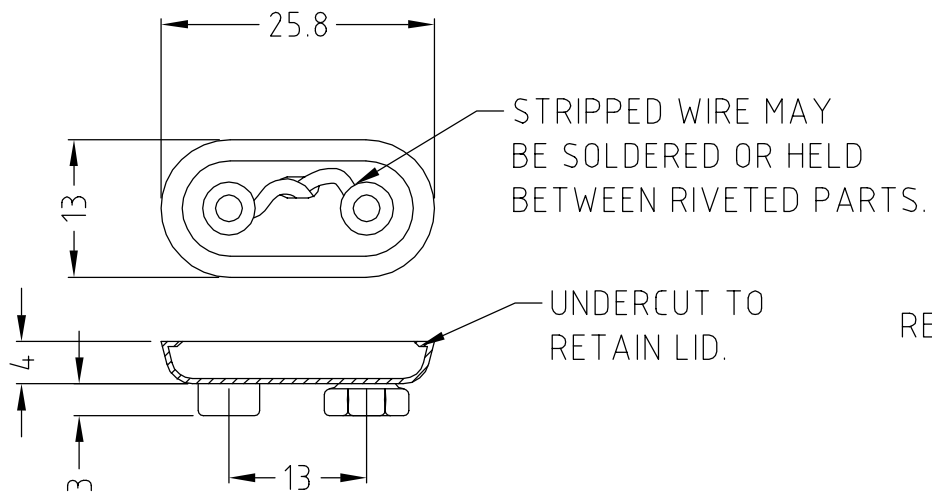


ISS.	AMEND	DATE
1	1st DRAWN	09/04/90
2	REDRAWN	04/10/05
3	RoHS BORDER	12/01/16



**RoHS**  
**COMPLIANT**

**TOLERANCE**  
 NO DEC. PLACE ±  
 1 DEC. PLACE ±  
 2 DEC. PLACE ±  
 HOLE Ø ±  
 ANGLES ±  
 UNLESS OTHERWISE STATED

**Cliff Electronic Components Ltd.**  
 76 Holmetherpe Avenue, Holmetherpe Industrial Estate,  
 Redhill, Surrey, RH1 2PF, England, UK  
 Tel: 01737-771375 Fax: 01737-766012 Website: www.cliffuk.co.uk

THE CONTENTS OF THIS DOCUMENT MUST NOT BE COPIED OR DISCLOSED TO A 3rd PARTY WITHOUT WRITTEN PERMISSION OF CLIFF UK. © 1990

DIMENSIONS IN MILLIMETERS UNLESS OTHERWISE STATED. WORK TO DIMENSIONS. REMOVE ALL BURRS. IF IN DOUBT ASK.

MATERIAL: POLYPROPYLENE / BRASS  
 FINISH: AS MOULDED / Ni PLATED  
 DRAWN: C.A.M.J.

ANGLE PROJECTION:

TITLE: PP3 BATTERY CONNECTOR T-TYPE CCB-1A (220mm)

DRWG. No. **FC6831** FORM: A4DRWGH

DO NOT SCALE

APPROVED: R.W.T.