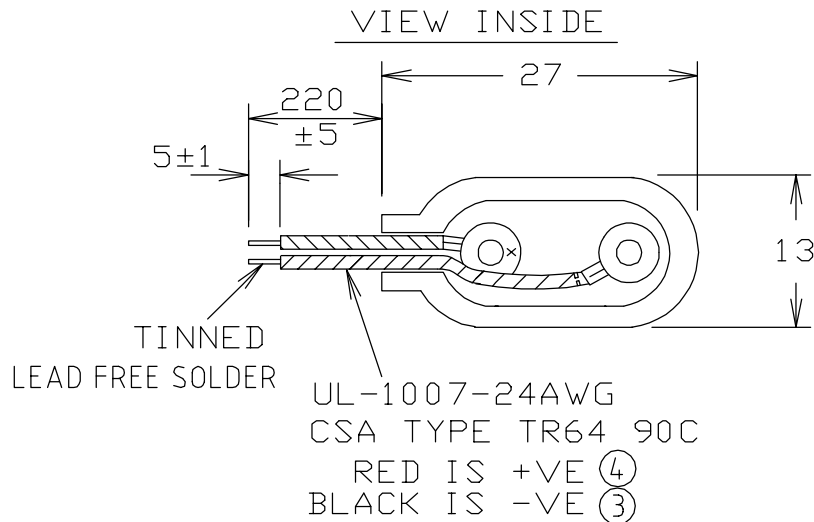
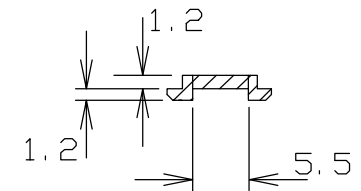
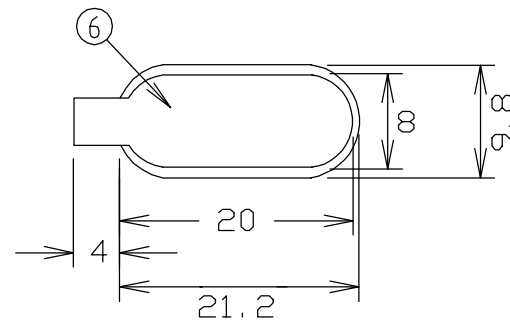
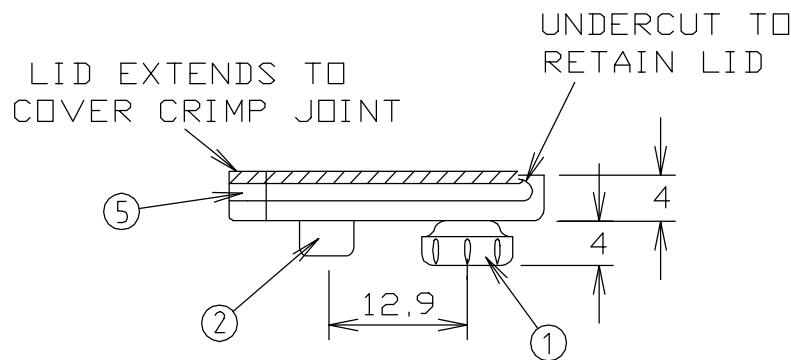
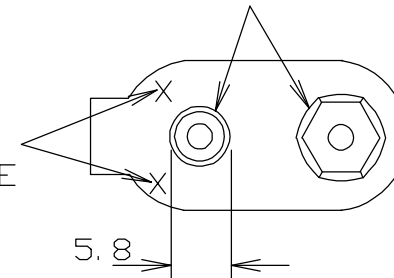


ISS.	AMEND	DATE
1	1st DRAWN	09/04/90
2	CHNG TO CRIMP TYPE	28/01/92
3	MAT TABLE + UPDATE	28/04/06
4	RoHS BORDER	12/01/16



Ni PLATED BRASS TO IEC DIMS. METAL OF + TERMINAL MUST BE FOLDED INWARDS.

WALL THICKNESS MUST BE MAXIMUM POSSIBLE TO ENSURE STRENGTH HERE.



LID (BLUE)

MATERIALS			
No.	PART NAME	MATERIAL	NOTES
1	FEMALE CONTACT	BRASS	Ni PLATED
2	MALE CONTACT	BRASS	Ni PLATED
3	BLACK WIRE -VE	PVC	MIN 26 AWG
4	RED WIRE +VE	PVC	MAX 22 AWG
5	CASE	P.P.	WHITE
6	LID	P.P.	BLUE

CONTACT RESISTANCE <math>< 50\text{m}\Omega</math>
 LIFE ENDURANCE >1000 PLUG / UNPLUG.
 OPERATING TEMP. -10°C / +50°C
 STORAGE TEMP. -20°C / +40°C
 BREAKDOWN VOLTAGE >100V DC
 RATED VOLTAGE 9V DC
 SUITABLE FOR PP3 BATTERY.

RoHS
COMPLIANT

TOLERANCE
 NO DEC. PLACE ±
 1 DEC. PLACE ±
 2 DEC. PLACE ±
 HOLE Ø ±
 ANGLES ±
 UNLESS OTHERWISE STATED

Cliff Electronic Components Ltd.

76 Holmesthorpe Avenue, Holmesthorpe Industrial Estate,
 Redhill, Surrey, RH1 2PF, England, UK
 Tel: 01737-771375 Fax: 01737-766012 Website: www.cliffuk.co.uk

DIMENSIONS IN MILLIMETERS UNLESS OTHERWISE STATED. WORK TO DIMENSIONS. REMOVE ALL BURRS. IF IN DOUBT ASK.

ANGLE PROJECTION:

DO NOT SCALE

MATERIAL: SEE TABLE

TITLE: PP3 BATTERY CONNECTOR CCB-1 (220mm)

FINISH: SEE TABLE

THE CONTENTS OF THIS DOCUMENT MUST NOT BE COPIED OR DISCLOSED TO A 3rd PARTY WITHOUT WRITTEN PERMISSION OF CLIFF UK. © 1990

DRAWN: C.A.M.J.

APPROVED: R.W.T.

DRWG. No. **FC6830**

FORM: A4DRWGH