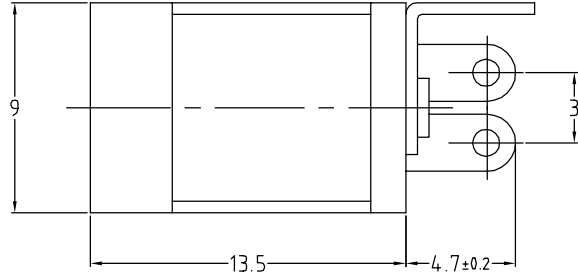
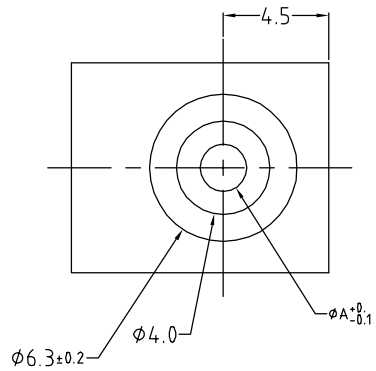


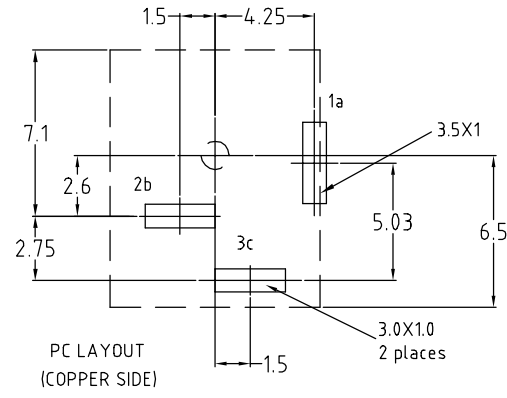
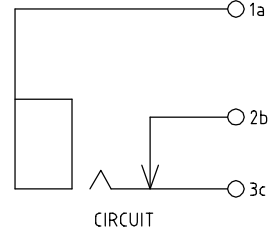
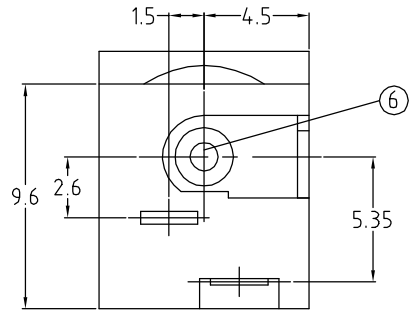
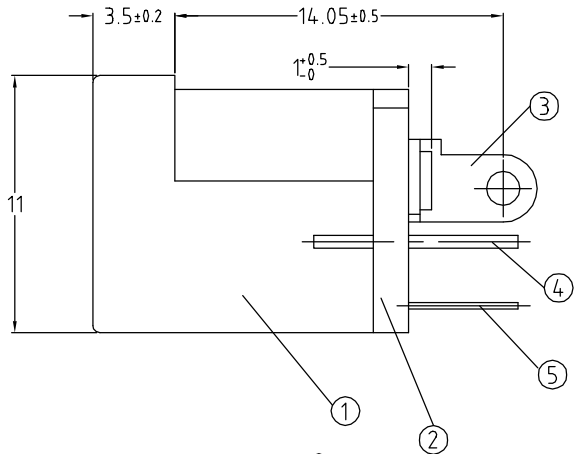
ISS.	AMEND	DATE
1	REDRAWN	5/6/90
2	MATL PBT	14/2/91
3	UPDATED	17/6/03
4	DIM 9 ADDED	26/4/17



No.	DESCRIPTION	QTY	MATERIAL	FINISH
1	HOUSING	1	PBT +30% GLASS	BLACK AS MOULDED
2	P.C.B.	1	P.C.B.	-
3	EARTH TERMINAL	1	C2680R-H t=0.5	SILVER PLATED
4	BREAK TERMINAL	1	C2680R-H t=0.5	SILVER PLATED
5	TIP TERMINAL	1	C5210R-SH t=0.5	SILVER PLATED
6	CENTRE PIN	1	BRASS	Ni PLATED

VARIANTS

MODEL	DIM A	P/No.
DC9	2.0	FC68146
DC9A	2.5	FC681461



NOTES:

- MECHANICAL DIMENSION : 13.1X8.8X10.7 mm.
- INSULATION : PLASTIC HOUSING, RESISTANCE VALUE AT 1000MΩ.
- SHUNT SPRING : BRASS SILVER PLATED.
- TIP SPRING : COPPER ALLOY SILVER PLATED.
- MOUNTING BUSHING : BRASS NICKEL PLATED.
- PLASTIC HOUSING : PLASTIC APPROVED BY U.L.
- INSULATION RESISTANCE : BETWEEN ANY OPEN TERMINAL MORE THAN 100MΩ AT 100V OR 250V, HUMIDITY AT 90-95% RELATIVE HUMIDITY AT 40°C.
- CONTACT RESISTANCE:
 - RESISTANCE NORMALLY CLOSED CONTACTS LESS THAN 30MΩ.
 - AFTER 5000 CYCLES OF INSERTIONS WITH TESTING PLUG.
- INSERTION FORCE : 0.5kg-15kg. EXTRACTION FORCE: 0.5kg-1.5kg.
- VOLTAGE TEST : WITHSTAND 500V BETWEEN ANY OPEN TERMINAL FOR ONE MINUTE.
- LIFE TIME : WITHSTAND MORE THAN 5000 CYCLES INSERTION AND WITHDRAWAL WITH TESTING PLUG.
- THIS PRODUCT SHOULD NOT BE WASHED BY A CHLORIDE.
- OPERATING TEMPERATURE :-20°C~+100°C.

RATED 12V DC - 5A

RoHS

COMPLIANT

TOLERANCE
 NO DEC. PLACE ± 0.50
 1 DEC. PLACE ± 0.30
 2 DEC. PLACE ± 0.10
 HOLE Ø ± 0.10
 ANGLES ± 2°
 UNLESS OTHERWISE STATED

DO NOT SCALE

Cliff Electronic Components Ltd.
 76 Holmethorpe Avenue, Holmethorpe Industrial Estate,
 Redhill, Surrey, RH1 2PF, England, UK
 Tel: 01737-771375 Fax: 01737-766012 Website: www.cliffuk.co.uk

DIMENSIONS IN MILLIMETERS UNLESS OTHERWISE STATED. WORK TO DIMENSIONS. REMOVE ALL BURRS. IF IN DOUBT ASK.

3rd ANGLE PROJECTION:

THE CONTENTS OF THIS DOCUMENT MUST NOT BE COPIED OR DISCLOSED TO A 3rd PARTY WITHOUT WRITTEN PERMISSION OF CLIFF UK. © 1990

MATERIAL: SEE TABLE
 FINISH: SEE TABLE

TITLE: DC POWER SOCKET DC9

DRAWN: CAMJ

APPROVED: RWT

DRWG. No. **FC68146** FORM: A4DRWGH