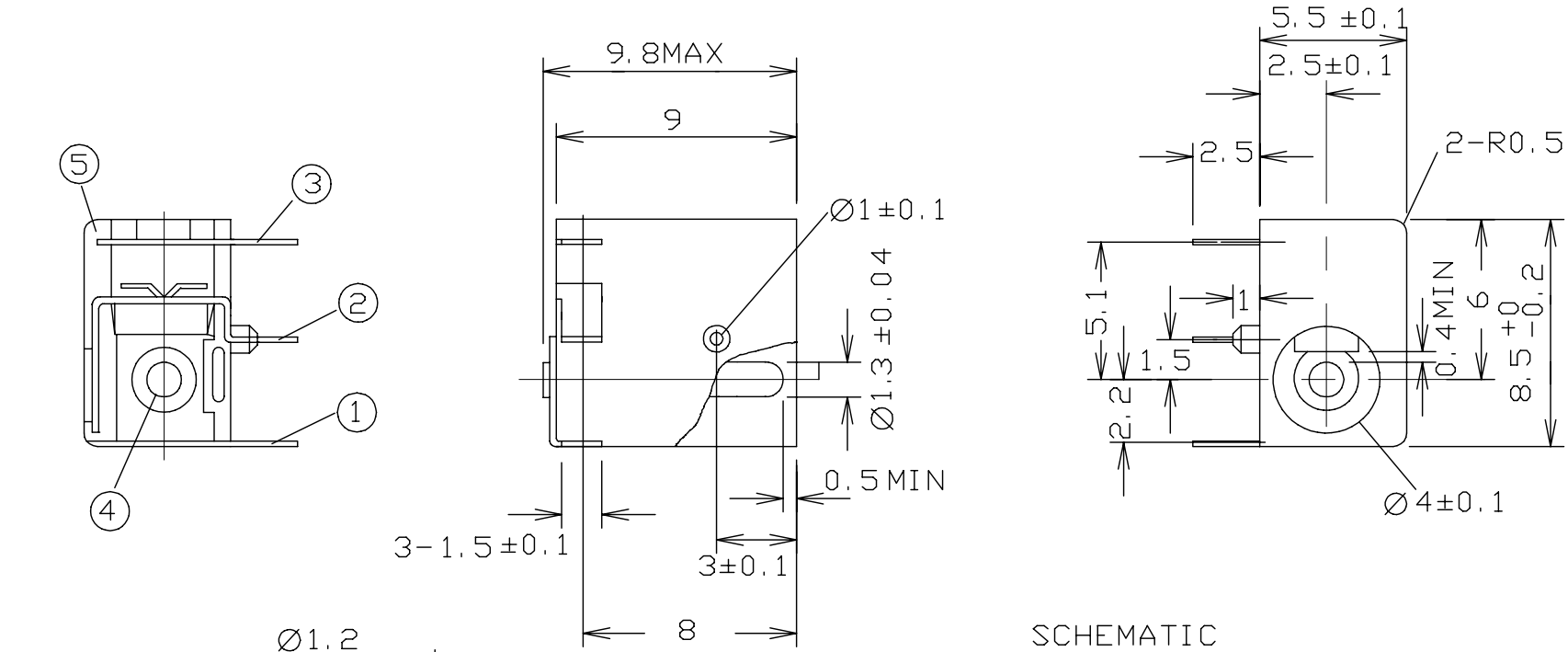
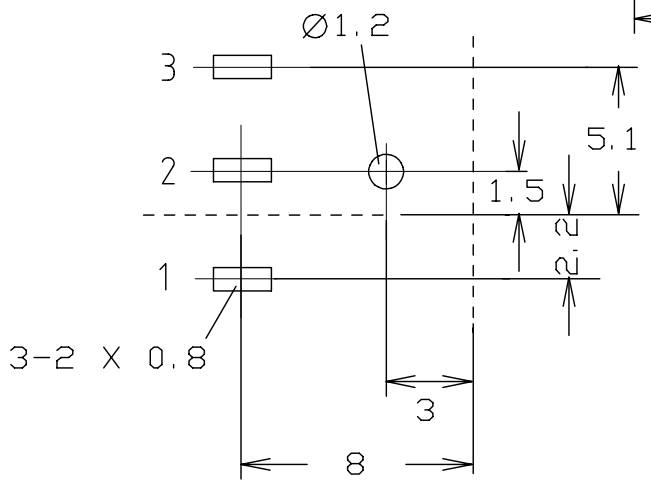
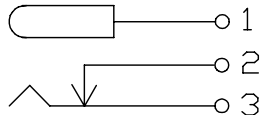


ISS.	AMEND	DATE
1	REDRAWN	11/07/90
2	PIN Ø IN TITLE	27/04/98
3	RoHS ADDED	26/05/09



SCHEMATIC



TRACK SIDE

ITEM	DESCRIPTION	QTY	MATERIAL	FINISH
1	PIN TERMINAL	1	SPRING BRASS 0.3 THK	SILVER PLATED
2	BREAK TERMINAL	1	SPRING BRASS 0.3 THK	SILVER PLATED
3	SLEEVE TERMINAL	1	Y-CUT 0.25 THK	SILVER PLATED
4	PIN	1	SPRING BRASS	NICKEL PLATED
5	HOUSING	1	P.B.T.	AS MOULDED

RoHS
COMPLIANT

Tolerance
NO DEC. PLACE ±
1 DEC. PLACE ± 0.20
2 DEC. PLACE ±
DIA. HOLES ±
ANGLES ± 1/2°
UNLESS OTHERWISE STATED

WHERE USED F.R.
SCALE N.T.S.

DIMENSIONS IN MILLIMETERS UNLESS OTHERWISE STATED. WORK TO DIMENSIONS. DO NOT SCALE DRAWING. 3rd ANGLE PROJECTION. REMOVE BURRS. IF IN DOUBT ASK.

Cliff Electronic Components Limited
76 Holmethorpe Ave., Holmethorpe Ind. Estate,
Redhill, Surrey. RH1 2PF. England.
Tel: 01737-771375 Fax: 01737-766012

MATERIAL SEE TABLE
FINISH SEE TABLE
DRAWN C.A.M.J. APPD. RWT

TITLE DC POWER SOCKET DC8 (1.3mm PIN)
DRWG. No. **FC 68145**

FORM: A4DRWGH