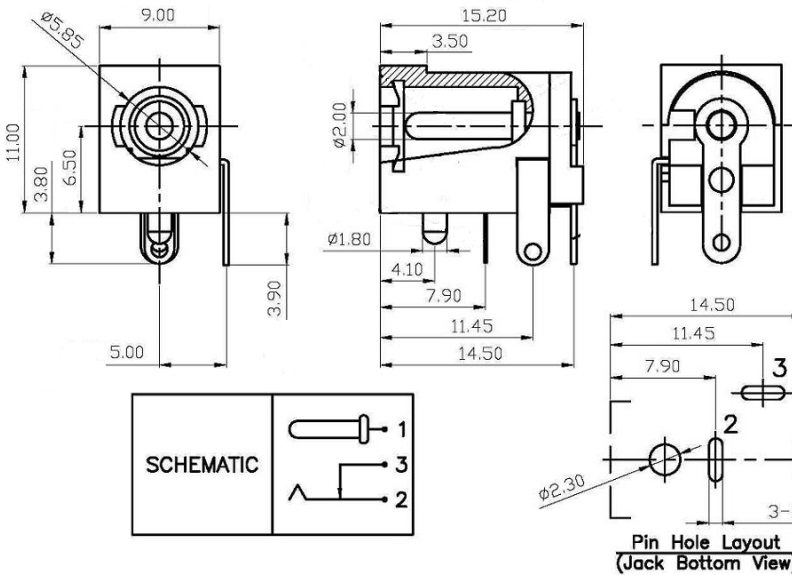
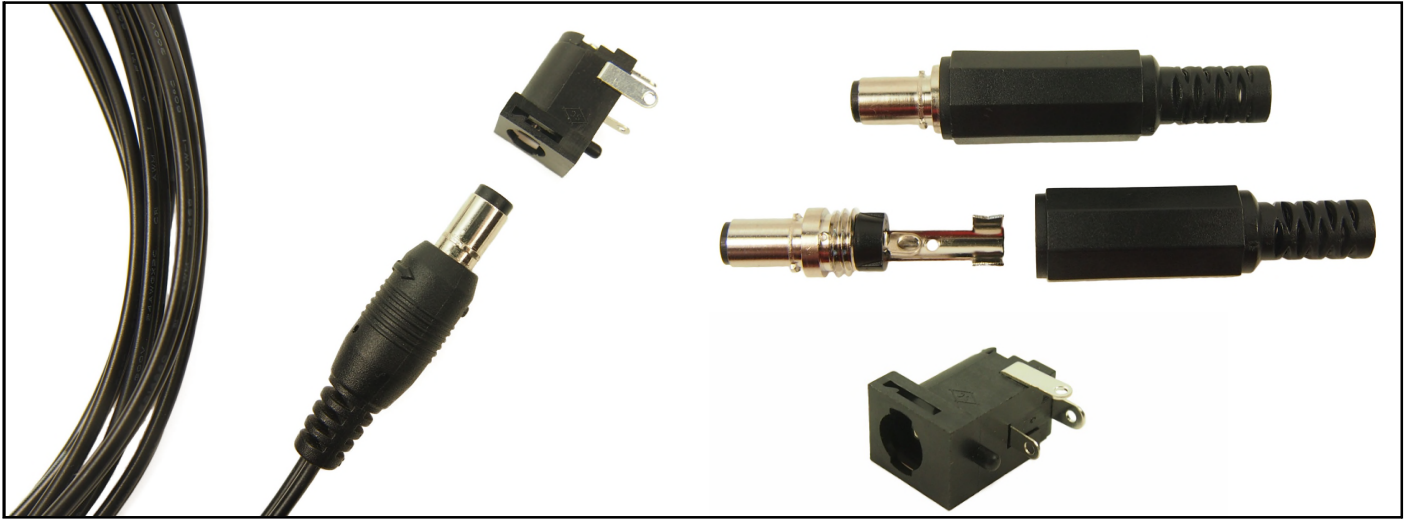


# CLIFF

## LOCKING DC PLUG & SOCKET

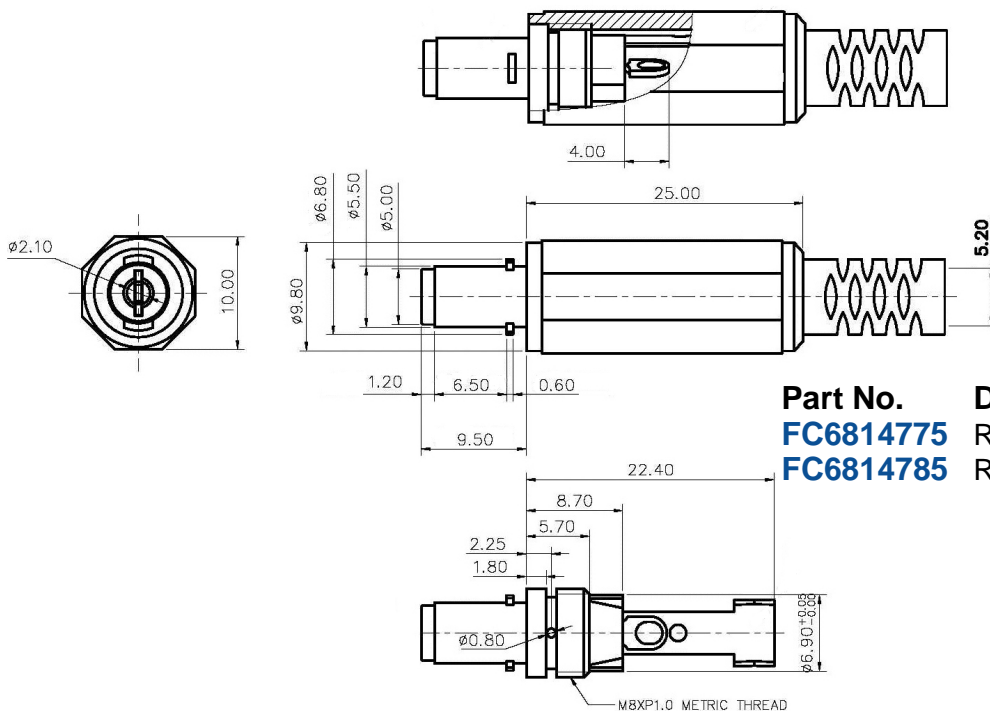


Part No.	Description
<b>FC681477</b>	Locking DC Socket Ø2.5mm
<b>FC681478</b>	Locking DC Socket Ø2.1mm

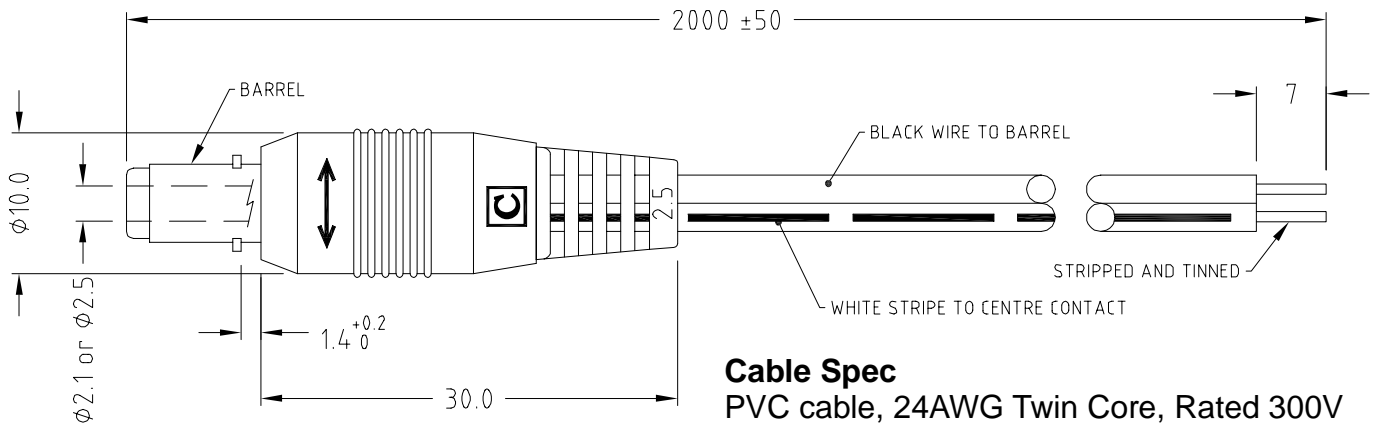
### Specification

Contact Resistance : 30mΩ max.  
 Current rating : Max 2.0A, 16V DC  
 Insulation Resistance : 100MΩ min at DC500V  
 Dielectric Withstand Voltage : AC 500V for 1 minute.

Note. Our standard DC plugs (FC68147 - DCP1 and FC681471 - DCP2) are compatible with this socket.



Part No.	Description
<b>FC681477S</b>	Rewireable Locking DC Plug Ø2.5mm
<b>FC681478S</b>	Rewireable Locking DC Plug Ø2.1mm



**Part No.**

- FC6814751**
- FC6814751W**
- FC6814761**
- FC6814761W**

**Description**

- Ø2.5mm LOCKING DC PLUG 2m CABLE BLACK
- Ø2.5mm LOCKING DC PLUG 2m CABLE WHITE
- Ø2.1mm LOCKING DC PLUG 2m CABLE BLACK
- Ø2.1mm LOCKING DC PLUG 2m CABLE WHITE